



Model ECP 35 Y

8" - 14 gauge spun aluminum ball
gold anodized

Single sheave truck, cast
aluminum revolving,
non-fouling type

2 Bronze swivel snaps
with covers per halyard

3 Sets of halyard: #10 poly

9'-6" Yardarm

3 - 9" Cast aluminum cleat

Aluminum flash collar

3000 PSI concrete

Hardwood wedges
(supplied by others)

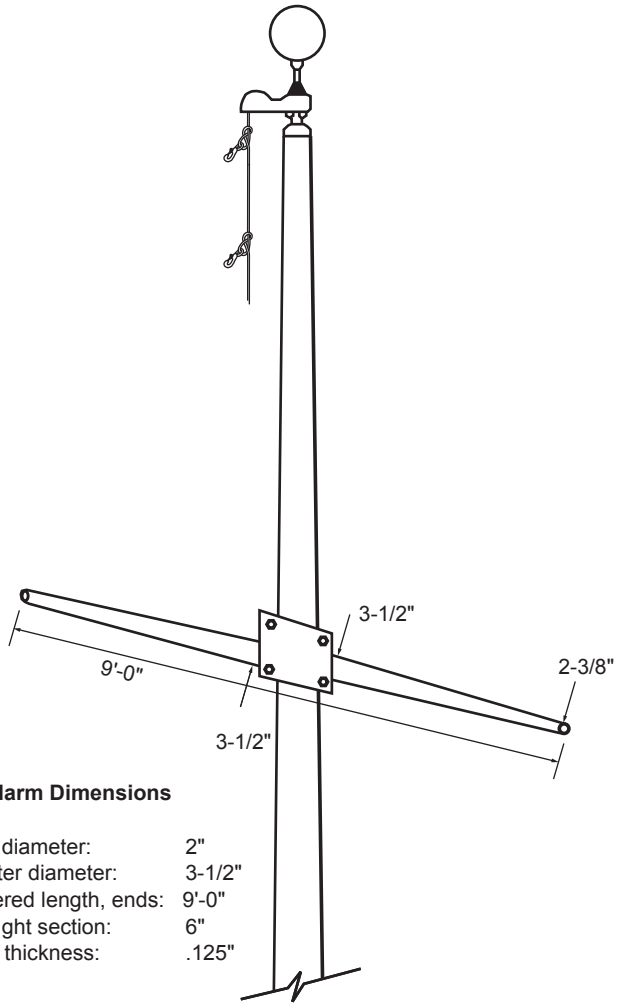
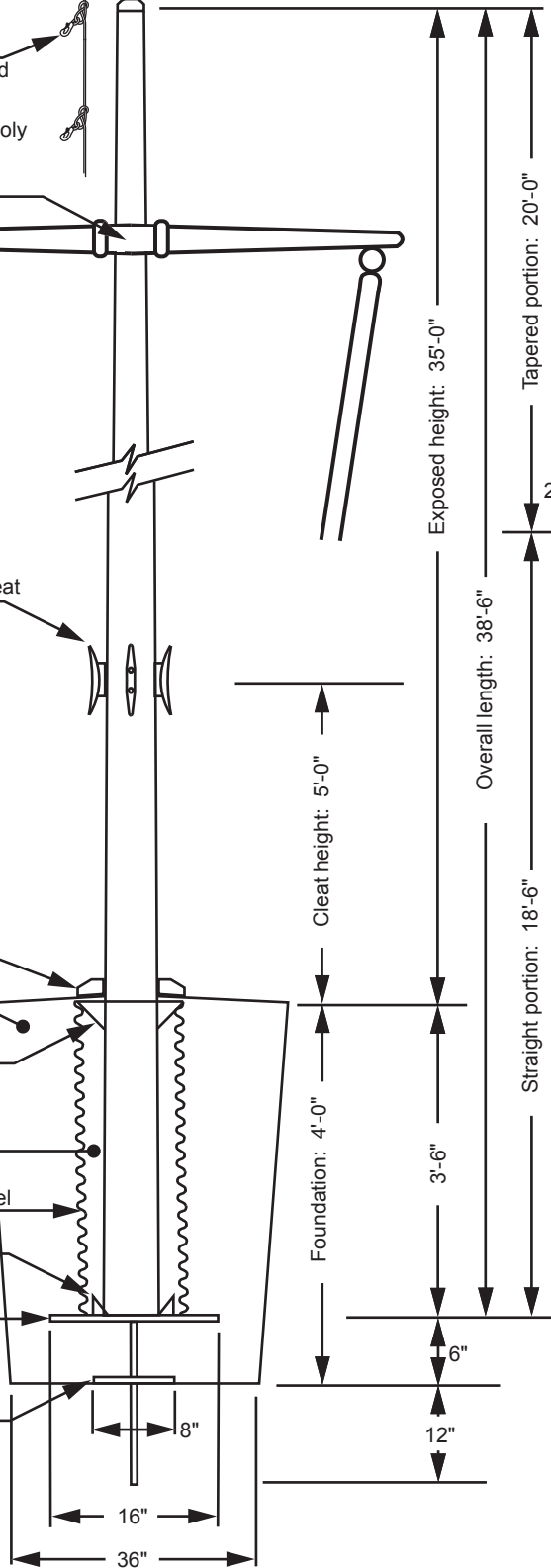
Dry sand tightly tamped
after aligning pole

Foundation sleeve -16 ga
hot dip galvanized steel

Steel centering wedges

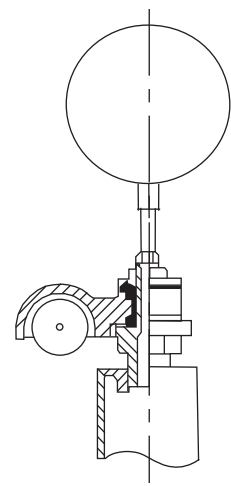
1/4" Steel base plate

1/4" Steel support plate
welded to grounding
spike



Yardarm Dimensions

- End diameter: 2"
- Center diameter: 3-1/2"
- Tapered length, ends: 9'-0"
- Straight section: 6"
- Wall thickness: .125"



Truck Detail

- Aluminum body
- Stainless steel ball bearings
- Aluminum sheave
- Cast aluminum spindle

Filename: ECP 35 with yardarm_single sheave_revolving truck.ai

Project:	Ground set tapered aluminum flagpole: ALLOY: 6063T6	EDER FLAG	Date:
Location:	Exposed height: 35'-0"	Overall height: 38'-6"	Revision:
Architect:	Ship in 1 section	Butt diameter: 7"	1000 W. Rawson Avenue
Contractor	Top diameter: 3-1/2"	Wall thickness: .188"	Oak Creek, WI 53154
Customer:	Finish: 100 grit polish		Job: