

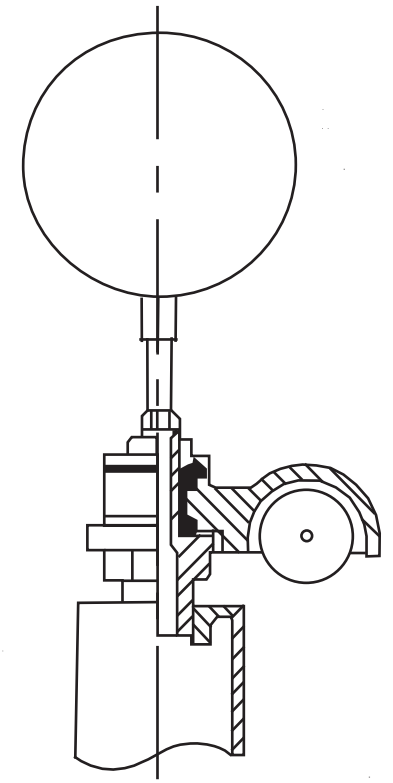
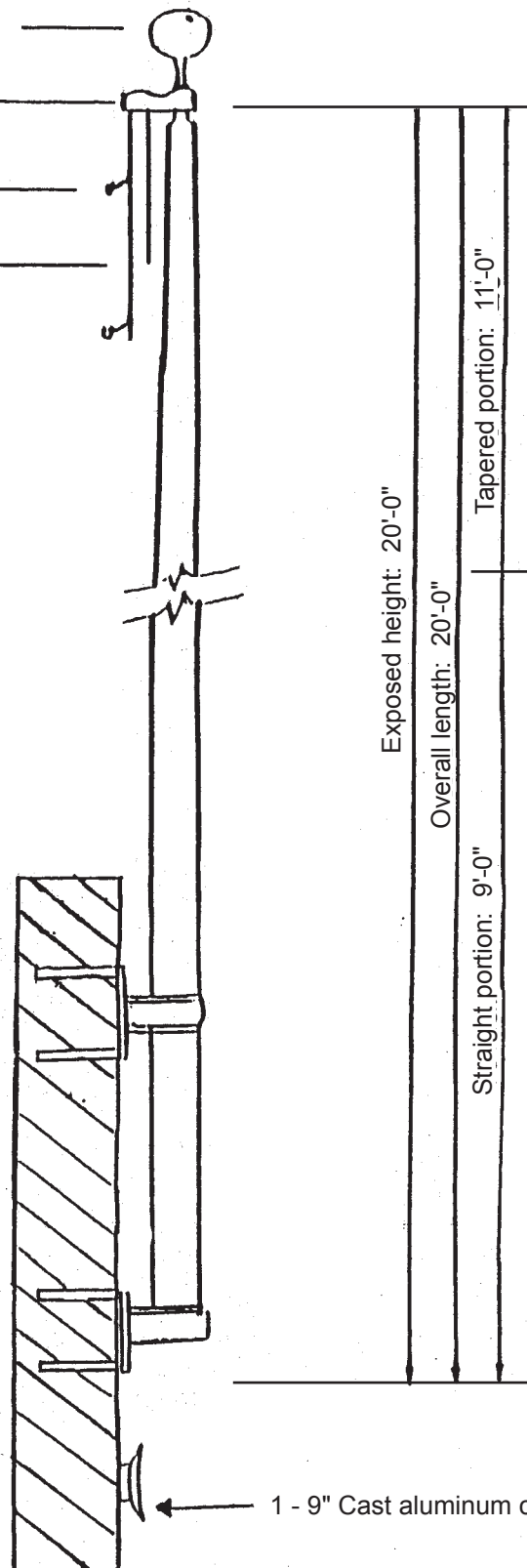
Model LVW 20

5" - 14 gauge spun aluminum ball
gold anodized

Single sheave truck, cast aluminum
revolving, non-fouling type

2 Bronze swivel snaps with covers
per halyard

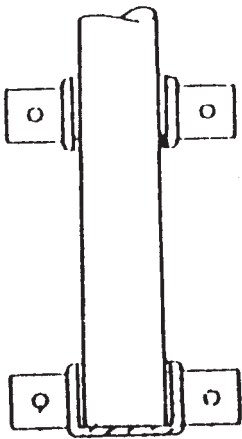
1 Set of halyard: NWCH 10 poly



Truck Detail

Aluminum body
Stainless steel ball bearings
Aluminum sheave
Cast aluminum spindle

Bracket Detail



1 - 9" Cast aluminum cleat

Project:	Tapered aluminum flagpole: ALLOY: 6063T6	EDER FLAG	Date:
Location:	Exposed height: 20' - 0"	Overall height: 20' - 0"	Revision:
Architect:	Ship in 1 section	Butt diameter: 5"	1000 W. Rawson Avenue
Contractor:	Top diameter: 3"	Wall thickness: .125	Oak Creek, WI 53154
Customer:	Finish: 100 grit high polish - Black anodize		Job: