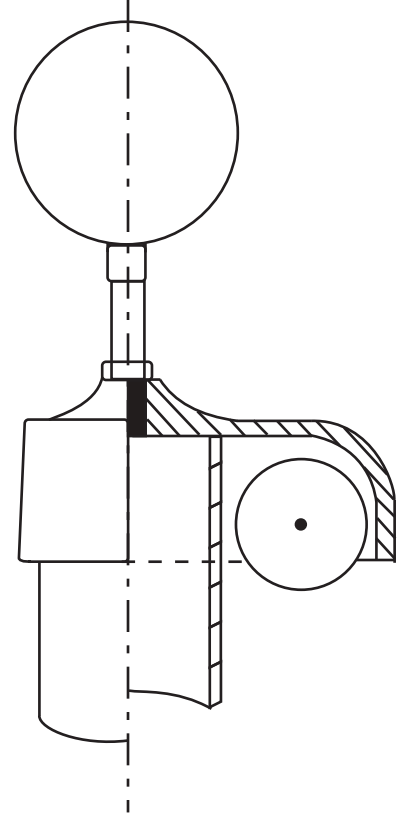
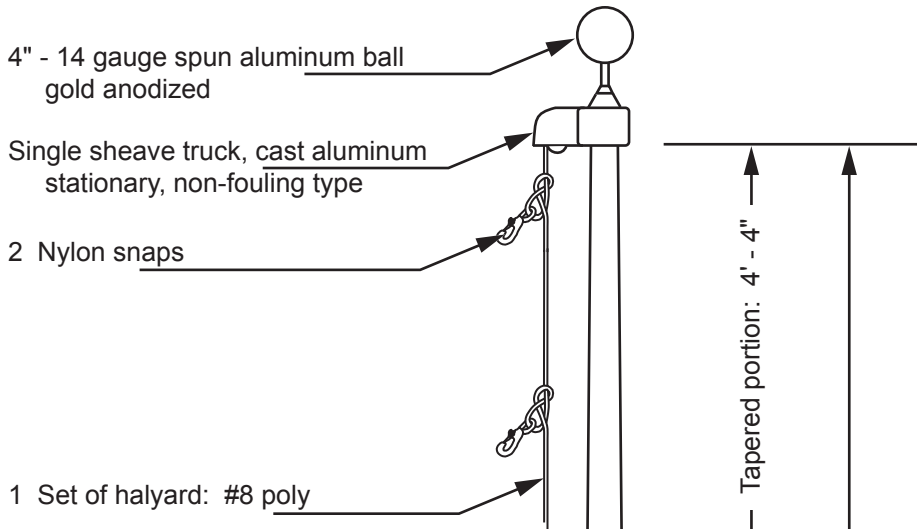
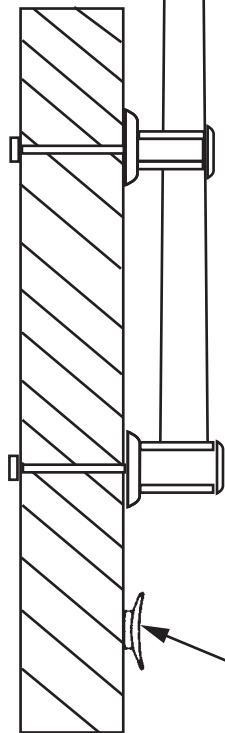
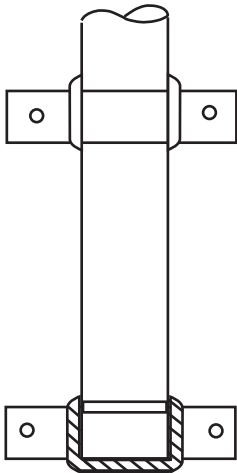


Model EVW 16



Stationary Truck Detail
Cast Aluminum body

Bracket Detail



1 - 9" Cast aluminum cleat

Project:	Tapered aluminum flagpole: ALLOY: 6063T6	EDER FLAG	Date:
Location:	Exposed height: 16' - 0"	MANUFACTURING COMPANY	Revision:
Architect:	Ship in 1 section	Butt diameter: 3-1/2"	1000 W. Rawson Avenue
Contractor:	Top diameter: 2-3/8"	Wall thickness: .125	Oak Creek, WI 53154
Customer:	Finish: 100 grit high polish -		Job: