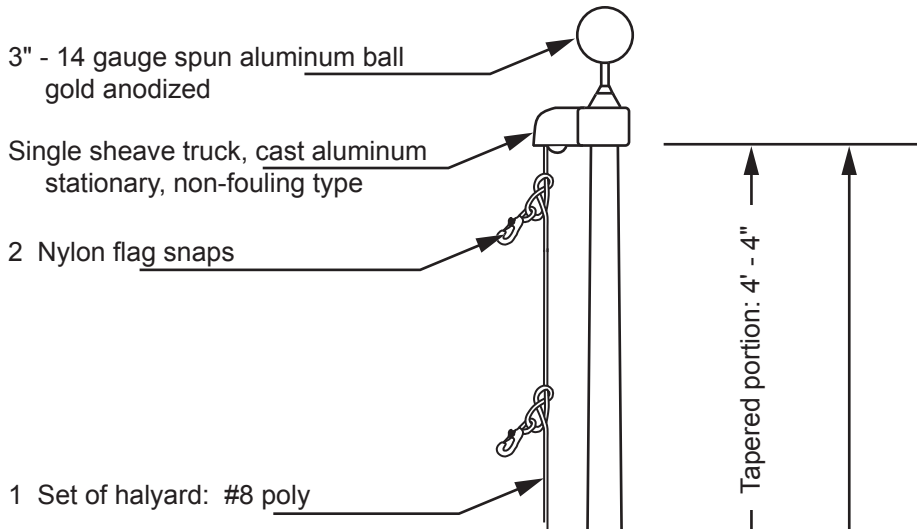


# Model EVWM 14

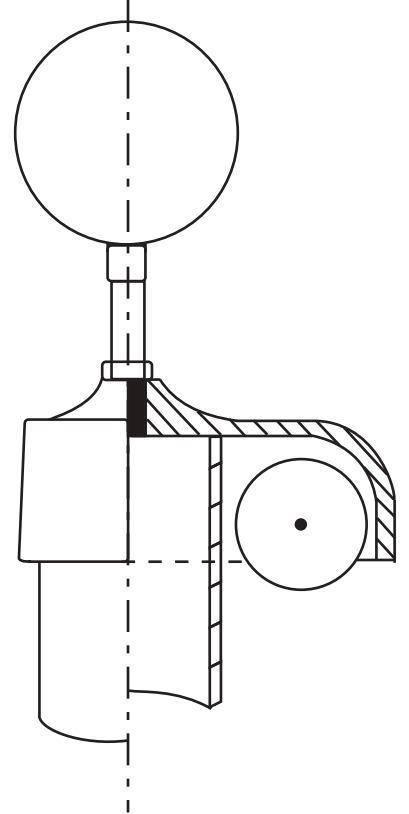
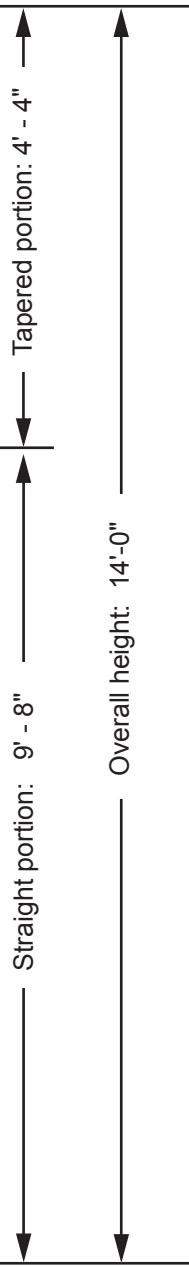


3" - 14 gauge spun aluminum ball  
gold anodized

Single sheave truck, cast aluminum  
stationary, non-fouling type

2 Nylon flag snaps

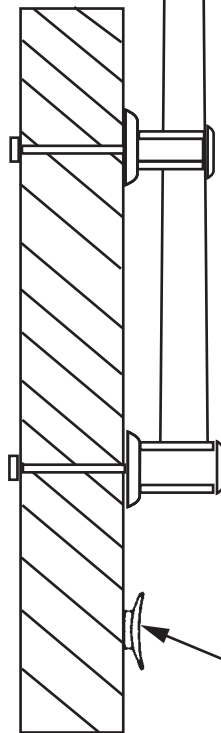
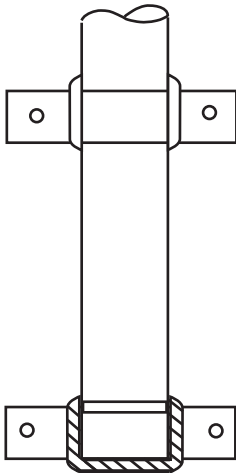
1 Set of halyard: #8 poly



**Stationary Truck Detail**

Cast Aluminum body

**Bracket Detail**



1 - 9" Cast aluminum cleat

Project:	Tapered aluminum flagpole: ALLOY: 6063T6	EDER FLAG	Date:
Location:	Exposed height: 14' - 0"	MANUFACTURING COMPANY	Revision:
Architect:	Ship in 1 section	Butt diameter: 2-3/8"	1000 W. Rawson Avenue
Contractor:	Top diameter: 1-7/8"	Wall thickness: .140"	Oak Creek, WI 53154
Customer:	Finish: 100 grit high polish		Job: