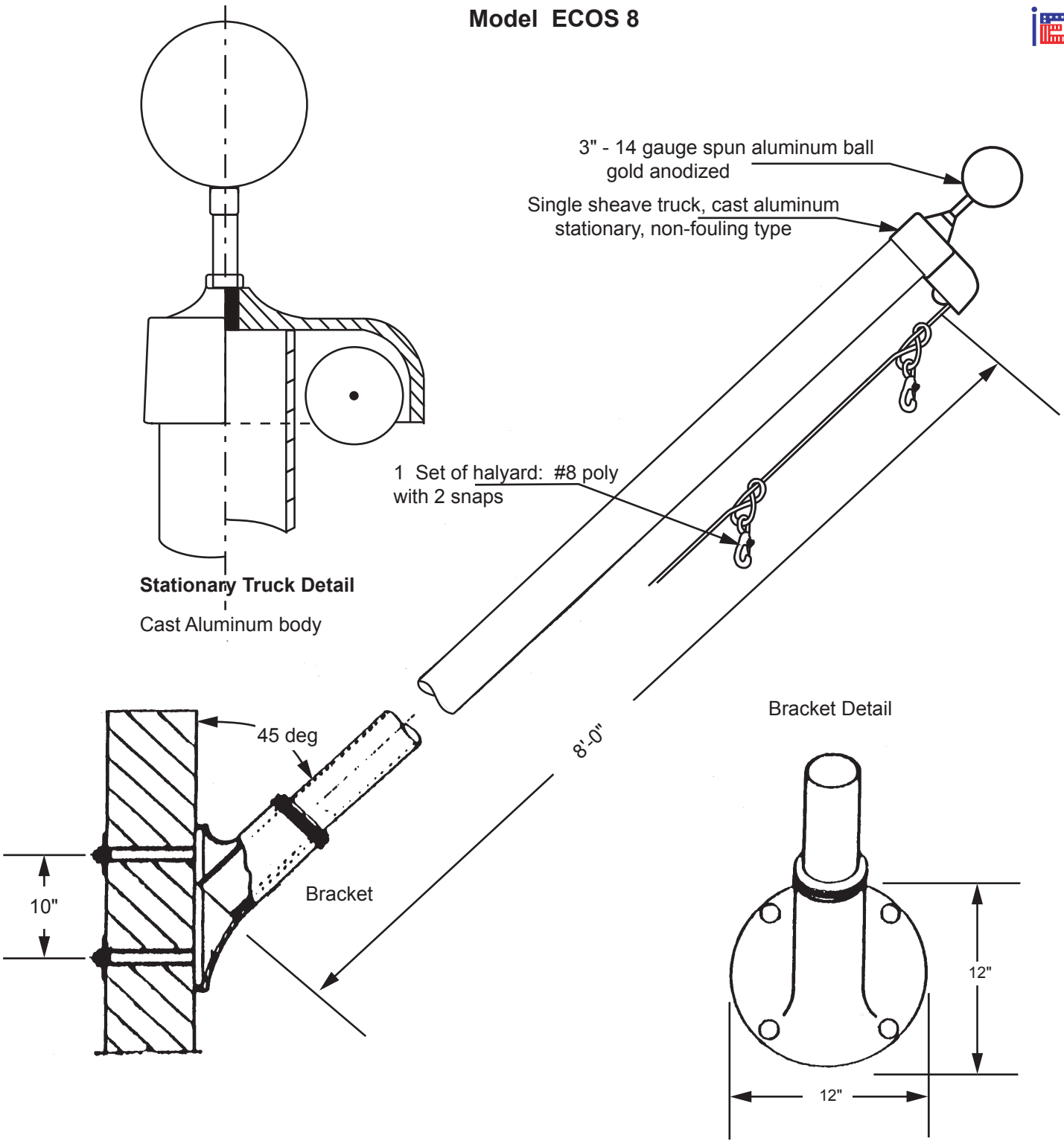


# Model ECOS 8



|             |   |                     |                       |
|-------------|---|---------------------|-----------------------|
| Project:    | Cone Tapered aluminum flagpole: ALLOY: 6063T6 | EDER FLAG           | Date:                 |
| Location:   | Exposed height: 8' - 0"                       | Butt Diameter: 3"   | Revision:             |
| Architect:  | Ship in 1 section                             | Top Diameter: 3"    | 1000 W. Rawson Avenue |
| Contractor: | Wall thickness: .125                          | Oak Creek, WI 53154 |                       |
| Customer:   | Finish: Satin                                 |                     | Job:                  |