



Model ECSA20

4" - 14 gauge spun aluminum ball
gold anodized

Single sheave truck, cast aluminum,
stationary, non-fouling type

2 Bronze swivel snaps with covers
per halyard

1 Set of halyard: #8 poly

1 - 9" Cast aluminum cleat

Aluminum flash collar

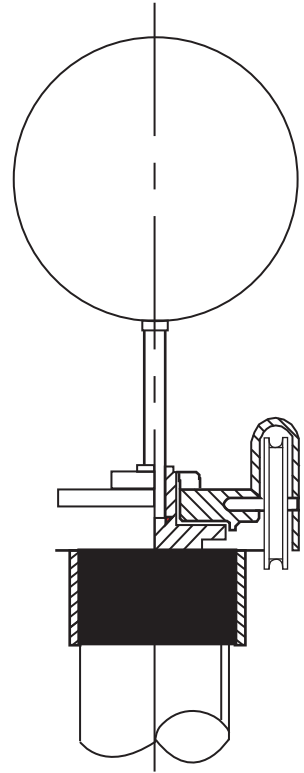
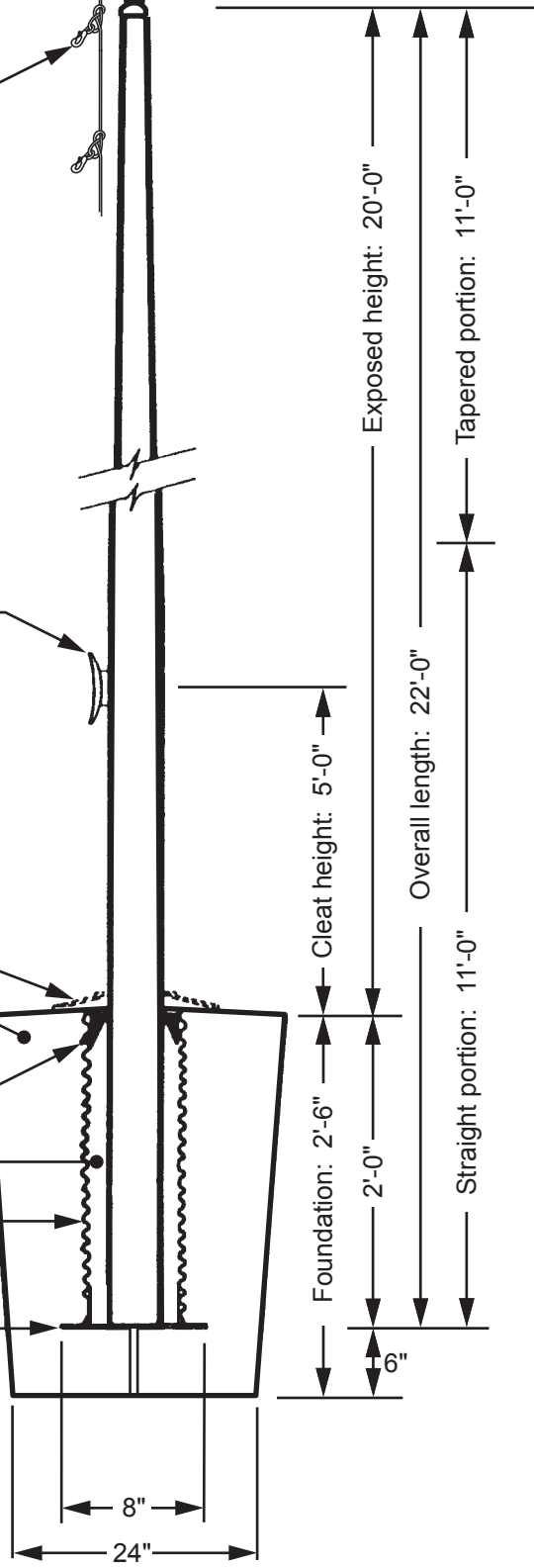
3000 PSI concrete

Hardwood wedges
(supplied by others)

Dry sand tightly tamped
after aligning pole

Foundation sleeve -16 ga
hot dip galvanized steel

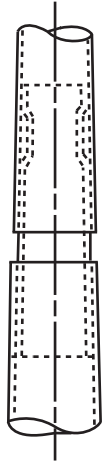
1/4" Steel base plate



All shafts with overall length of more than 38'-6" are shipped in two sections.

Each section matched marked for field assembly. Exposed portion of jam sleeve must be **well lubricated** prior to assembly.

1-1/2" maximum shop gap allowed for field fitting (ram for tight joint)



Project:	Ground set tapered aluminum flagpole: ALLOY: 6063T6	EDER FLAG	Date:
Location:	Exposed height: 20'-0"	Overall height: 22'-0"	Revision:
Architect:	Ship in 1 section	Butt diameter: 4"	1000 W. Rawson Avenue
Contractor:	Top diameter: 2-3/8"	Wall thickness: .125"	Oak Creek, WI 53154
Customer:	Finish: 100 grit polish		Job: